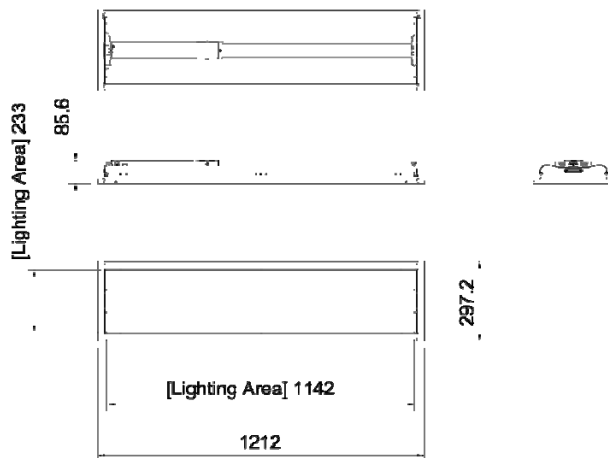


Product Description

- System Input Power: 24W, 32W
- Efficacy: 105 lm/W, 100 lm/W
- Input Frequency: 50/60Hz
- Optional Wireless Control & Color tunable
- Recessed or Pendant Mount

Beetle Smart System is an advanced tunable office lighting system that can provide daylight simulation between 2,700K to 6,500K, while dynamically interacting with both occupancy and photo sensors.

Dimensions



Product Specification

Options:

DM/ZT - 0~10 Volt Dimming

SD - SMART Dimming

SKCT - Color Tuning

Performance	BT14-024ZT-R1	BT14-032ZT-R1
Luminous Flux(lm)	2500 lm	3200 lm
Power Consumption	24W	32W
Power factor	> 0.9	
Efficacy(lm/W)	105 lm/W	100 lm/W
CCT(K)	3000K / 4000K / 5000K 2700K~ 6500K	
CRI(Ra)	> 80	
Beam Angle(°)	110	
Input Voltage(V)	100 - 277Vac	
Operating Temp	-20°C~45°C	

※ Tolerance Range : ± 10%

Physical Info

Dimension(mm)	1212 x 297.2 x 85.6
Luminous active(mm)	1142.4 x 233
Weight	< 6.5kg

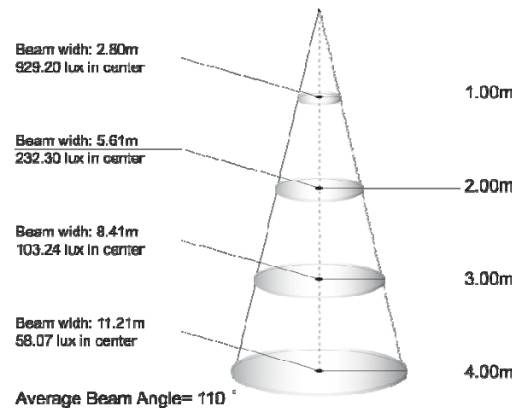
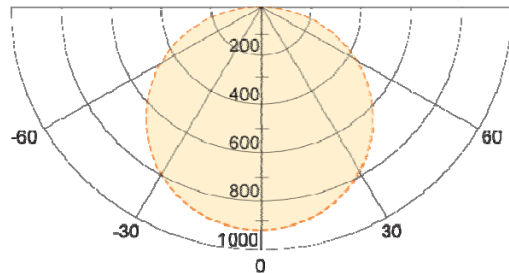
Certification & Qualification



ORDERING INFORMATION

BT	14	-032	ZT	CT	R1
Model	Light Panel Size	Wattage	Control Option	CCT	Mounting
Beetle Troffer	1' x 4'	024 24 Watt 032 32 Watt	SK Smart Kelvin control SD Smart Dimming ZT 0-10V Dimming	CT Tunable (SK Only) 30 3000K 40 4000K 50 5000K	R1 Recessed P Pendant

Light Distribution & Distance Luminary – BT14-024ZT/SD-R1



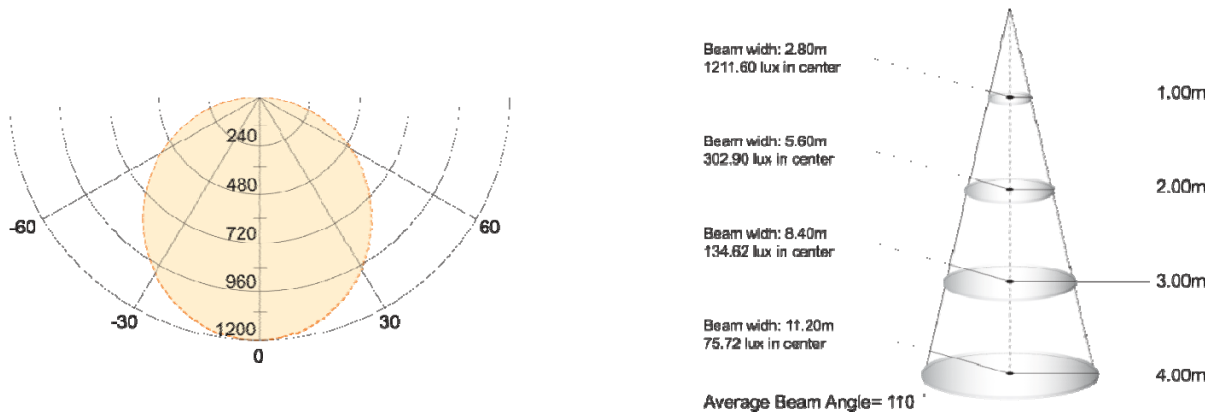
Luminous Intensity Table

θ/Φ	0°	30°	60°	90°
0°	929	929	929	929
15°	890	890	888	886
30°	775	775	770	769
45°	601	602	596	596
60°	374	380	386	388
75°	144	147	154	160
90°	1	2	2	2

Luminous Flux Table

Cone	Lumens	Luminaire %
0°~32.5°	824	33
32.5°~62.5°	1299	51
62.5°~90°	406	16
0~90°	2528	100
90°~180°	0	0
0°~180°	2528	100

Light Distribution & Distance Luminary - BT14-032ZT/SD-R1



Luminous Intensity Table

θ/Φ	0°	30°	60°	90°
0°	1212	1212	1212	1212
15°	1159	1159	1157	1156
30°	1008	1009	1004	1003
45°	780	781	777	778
60°	485	493	502	507
75°	186	191	199	209
90°	2	2	2	2

Luminous Flux Table

Cone	Lumens	Luminaire %
0°~32.5°	1074	33
32.5°~62.5°	1693	51
62.5°~90°	530	16
0~90°	3297	100
90°~180°	0	0
0°~180°	3298	100

SAMJIN LED Beetle Luminaire With an integral Emergency Battery Kit

FEATURES

SAMJIN LED Flat Panel recessed troffer luminaire with an integral **Philips Bodine Emergency LED Driver (BSL17C)** is configured with a 90-minute Battery Pack, compliant with the NFPA 101 Life Safety Code

Operation

When AC power fails, it immediately switches to the emergency mode, operating the LEDs for 90 minutes. When AC power restored the emergency driver automatically returns to normal mode.
Recharge Time: 24Hrs.
Warranty: 5 years

Emergency LED Driver (BSL17C)

Performance Summary

Delivered Light Output: 1300 (PLUS) lumens
Input Voltage: 120-277VAC
Input Current: 60 [Hz]
Input Power: 3.0 W
Output Voltage: $V_o = 30\sim 80$ [VDC]
Output Current: $I_o = 200$ [mA] (Max)
Output Power: 7.0 W (Max)

Battery Sustainability Time

Illumination Time: 90 minute or more
Recharge Time: 24Hrs.
Test Switch: Indicator

Certification

UL 924 Issue:2006/02/24 Ed:9 Rev:2011/02/18
UL Standard for Safety Emergency Lighting and Power Equipment
CSA C22.2#141 Issue:2010/09/01 Ed:4 Unit Equipment for Emergency Lighting)



Ordering Information

Reference SAMJIN Troffer specsheets for ordering details.