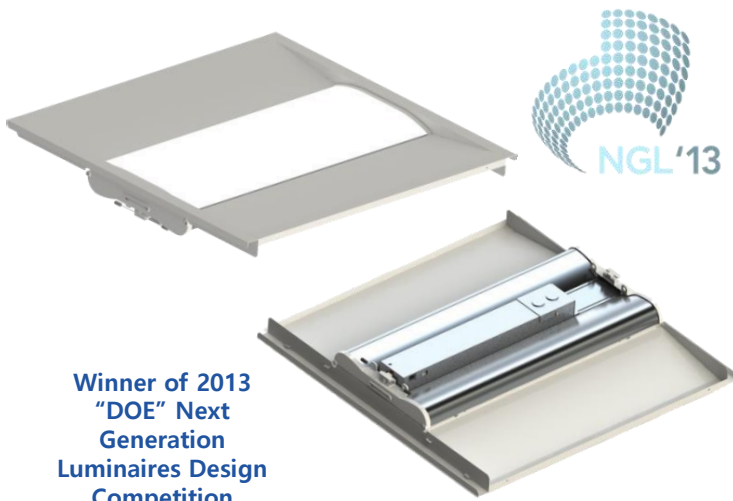


BT12 (2x2) 24W & 32W Series

SAMJIN

Rev.1.2



Winner of 2013
"DOE" Next
Generation
Luminaires Design
Competition

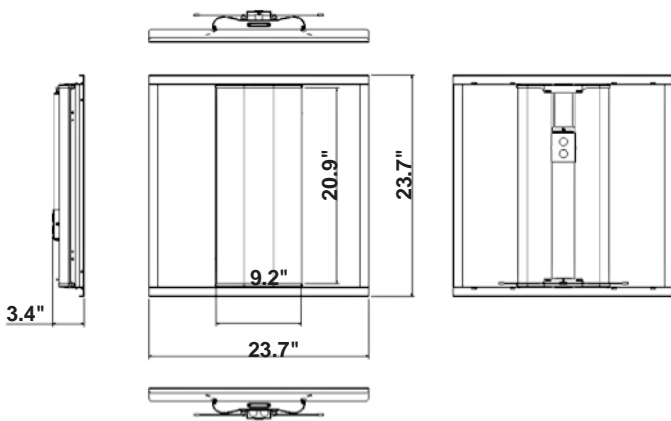
Product Description

- System Input Power: 24W, 32W
- Efficacy: 112 lm/W, 120 lm/W
- Input Frequency: 50/60Hz

Product Specification Options:

- **DM/ZT - 0~10 Volt Dimming**
- **SKCT – Color Tuning**

Dimensions



BT12-025 Upgraded to BT12-024

Control Options:

BT12 series can be controlled with standard 0-10V LED dimmers. Tested 0-10V LED Dimmers include:

- Lutron – DIVA
- WattStopper - DLM

SKCT – Color Tuning

- BT Smart System is an advanced tunable office lighting system that can provide daylight simulation between 2,700K to 6,500K, while dynamically interacting with both occupancy and photo sensors.

Performance	BT12-024DM40R2	BT12-032ZT-R2
Luminous Flux(lm)	2843 lm	3830 lm
Power Consumption	24W	32W
Power factor	> 0.9	
Efficacy(lm/W)	112 lm/W	120 lm/W
CCT(K)	3000K / 4000K / 5000K 2700K~ 6500K	
CRI(Ra)	> 80	
Beam Angle(°)	110	
Input Voltage(V)	100 - 277Vac	
Operating Temp	-20°C~45°C	

※ Tolerance Range : ± 10%

Physical Info

Dimension	23.7" x 23.7" x 3.4"
Luminous active	20.9" x 9.2"
Weight	11 lbs.

Certification & Qualification



ORDERING INFORMATION

BT	12	-024	DM	40	R2
Model	Light Panel Size	Wattage	Control Option	CCT	Mounting
BT Troffer	1' x 2'	024 24 Watt 032 32 Watt	SK Smart Kelvin control DM/ZT 0-10V Dimming	CT Tunable (SK Only) 30 3000K 40 4000K	R2 Recessed P Pendant

U.S. Sales Partner ~
Controlled Lighting Corp.
NY - 914-806-6684 ~ CA - 415-935-1346
sales@controlledlighting.net

SAMJIN LED Inc.
900 Lane Avenue, Suite 170, Chula Vista, CA 91914
lighting@samiinled.com

Rev. 3/1/18
Specifications subject to
change without notice.

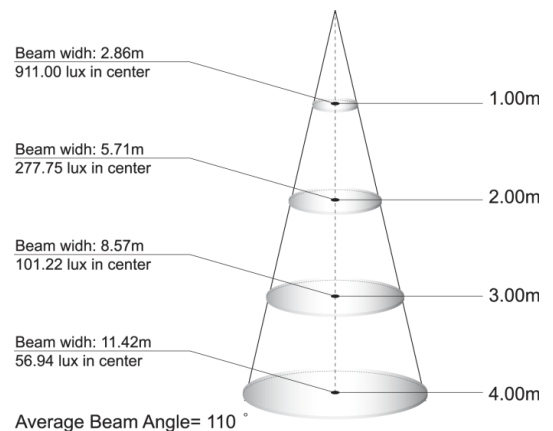
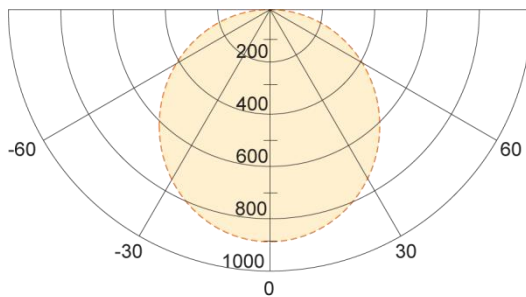
Luminous Intensity Table

θ/Φ	0°	30°	60°	90°
0°	911	911	911	911
15°	869	870	869	868
30°	757	756	752	752
45°	589	588	582	582
60°	388	385	376	376
75°	192	180	156	152
90°	1	1	1	1

Luminous Flux Table

Cone	Lumens	Luminaire %
0°~32.5°	808	32
32.5°~62.5°	1286	50
62.5°~90°	455	18
0~90°	2549	100
90°~180°	0	0
0°~180°	2849	100

Light Distribution & Distance Luminary - BT12-024ZT/SK-R2



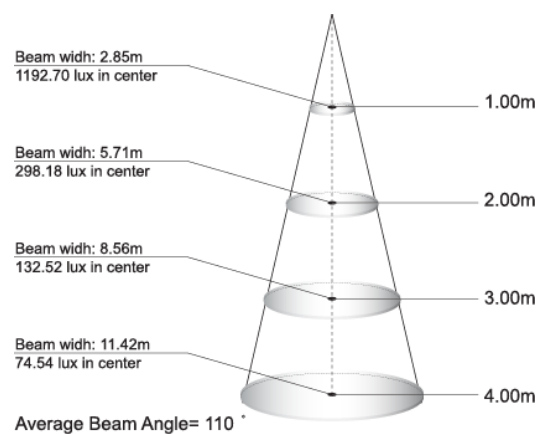
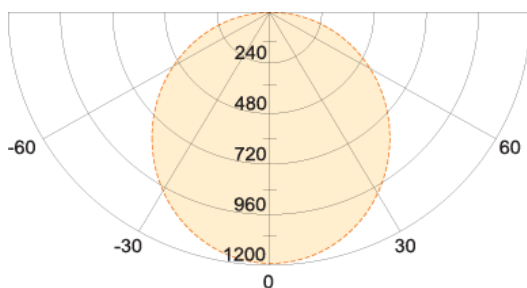
Luminous Intensity Table

θ/Φ	0°	30°	60°	90°
0°	1193	1193	1193	1193
15°	1142	1141	1139	1138
30°	996	994	988	985
45°	777	775	767	763
60°	513	509	498	493
75°	265	247	209	200
90°	2	1	1	1

Luminous Flux Table

Cone	Lumens	Luminaire %
0°~32.5°	1058	32
32.5°~62.5°	2741	51
62.5°~90°	596	18
0~90°	3361	100
90°~180°	0	0
0°~180°	3336	100

Light Distribution & Distance Luminary - BT12-032ZT/SK-R2



SAMJIN LED BT Luminaire With an integral Emergency Battery Kit

FEATURES

SAMJIN LED Flat Panel recessed troffer luminaire with an integral **Philips Bodine Emergency LED Driver (BSL17C)** is configured with a 90-minute Battery Pack, compliant with the NFPA 101 Life Safety Code

Operation

When AC power fails, it immediately switches to the emergency mode, operating the LEDs for 90 minutes. When AC power restored the emergency driver automatically returns to normal mode.
Recharge Time: 24Hrs.
Warranty: 5 years

Emergency LED Driver (BSL17C) Performance Summary

Delivered Light Output: 1300 (PLUS) lumens
Input Voltage: 120-277VAC
Input Current: 60 [Hz]
Input Power: 3.0 W
Output Voltage: $V_o = 30\sim 80$ [VDC]
Output Current: $I_o = 200$ [mA] (Max)
Output Power: 7.0 W (Max)

Battery Sustainability Time

Illumination Time: 90 minute or more
Recharge Time: 24Hrs.
Test Switch: Indicator

Certification

UL 924 Issue:2006/02/24 Ed:9 Rev:2011/02/18
UL Standard for Safety Emergency Lighting and Power Equipment
CSA C22.2#141 Issue:2010/09/01 Ed:4 Unit Equipment for Emergency Lighting)



Ordering Information

Reference SAMJIN Troffer specsheets for ordering details.