

FET24 (2x4) 50W Series - Edge Lit Flat Panel



PRODUCT DESCRIPTION

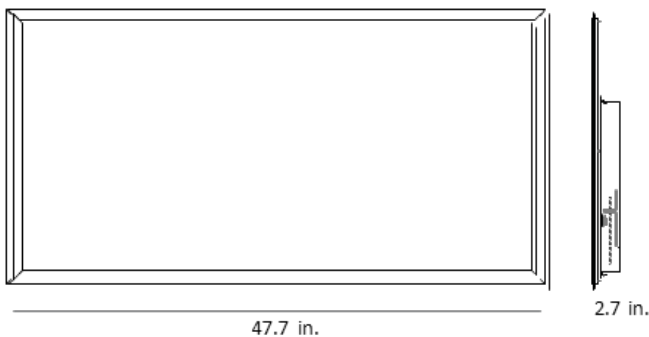
Samjin's FET Edge-Lit Flat Panel Series is designed for maximum uniformity with minimum glare. This minimalist design provides a biophilic illumination for various living environments. All FET models come with standard 0-10V dimming, ready to integrate with any popular control system including MADNUM OPUS DLC Networked Lighting Controls.

PRODUCT CONSTRUCTION

- **Edge Lit Light Panel:** Light panel is only 3/8" thick (2.75" with junction box) allows for thin profile which includes overlap mitered plasma seam welded corners preventing light leakage and contaminants (bugs and dust) from entering the light source.
- **Finish:** Aluminum with Sky White baked on powder coated finish providing a slim, clean, airborne particle resistant frame.
- **Lens:** Impact-resistant and shatter proof acrylic polycarbonate providing a durable long lasting stain resistant easy to clean light source.
- **Electrical:** Fixture is suitable for damp locations.
- **Warranty:** 5 year standard factory backed full replacement warranty.
- **Lifetime Rating:** 50,000 Hrs.
- **Input Frequency (Hz):** 50/60HZ
- **Emergency Backup Available**
- **Surface Mounted & Pendant Frame Available**

DIMENSIONS

Luminous Active 45.16 in.



Control:

- FET24 series can be controlled with standard 0-10V LED dimmers. Tested 0-10V LED Dimmers include:
 - Lutron – DIVA
 - WattStopper – DLM
- (Available with "Magnum OPUS" DLC Networked Listed Lighting Controls for 0~10 Volt Dimming)

PERFORMANCE	FET24-050ZT (30,40,50) SUS		
Light Output (lm)	5500	6072	6035
Power (W)	50		
Efficacy (lm/W)	110	118	115
CCT (K)	3000K	4000K	5000K
CRI (Ra)	> 83		
Power Factor	> 0.95		
Input Voltage(V)	100 – 277		

PHYSICAL INFO	
Dimension (in)	47.6"(L) x 23.7" (W) x 2.7" (H)
Weight (lb)	15.36 lb
Luminous active(mm)	538 x 1147

INSTALLATION	
Control	0-10V Dimming
Mounting	Recessed

WARRANTY	
Standard 5-Year Warranty	

CERTIFICATIONS & QUALIFICATIONS	
---------------------------------	--



ORDERING INFORMATION

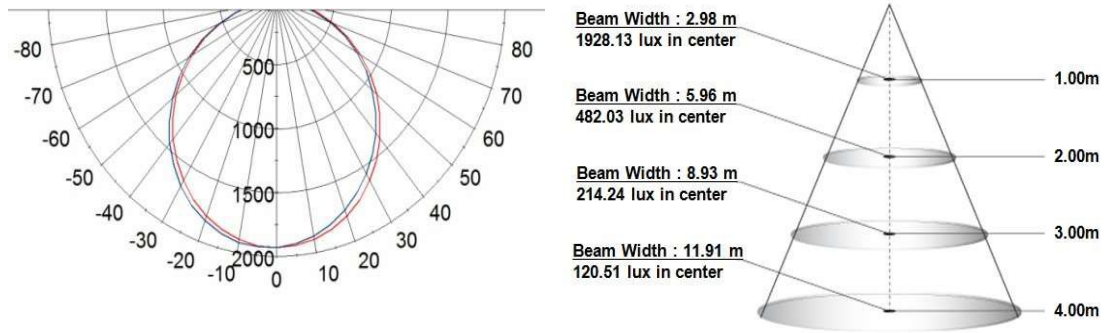
FET	24	-050	ZT	40	SUS
Model	Size	Wattage	CCT	CCT	Mounting
FET Edge Lit	24 2' x 4'	--50 050 W	ZT 0~10 Dimming	30 3000K 40 4000K 50 5000K	SUS Recessed (Surface Mounted Frames Available)

Controlled Lighting Corp.
 SAMJIN U.S. Sales Partner
 NY – 914-806-6684 ~ CA - 415-935-1346
sales@controlledlighting.net

SAMJIN LED Inc.
 900 Lane Avenue, Suite 170, Chula Vista, CA 91914
lighting@samjinled.com

Rev. 3/1/18
 Specifications subject to change
 without notice.

LIGHT DISTRIBUTION & DISTANCE LUMINAIRE -- FET24-050ZT40SUS



ZONAL LUMEN SUMMARY

Zone	Lumens	% Lamp	Luminaire
0~30	1732.3	31.4	31.4
30~60	2799.1	50.8	50.8
60~90	978.7	17.8	17.8
0~90	5510.1	100	100

COEFFICIENTS OF UTILIZATION

RC	90				70				50			0
	60	50	30	10	60	50	30	10	50	30	10	0
RW	60	50	30	10	60	50	30	10	50	30	10	0
RCR (0)	1.19	1.19	1.19	1.19	1.16	1.16	1.16	1.16	1.11	1.11	1.11	1.00
1	1.09	1.04	1.00	0.96	1.06	1.02	0.98	0.94	0.97	0.94	0.91	0.83
2	0.99	0.90	0.83	0.78	0.96	0.88	0.82	0.77	0.85	0.79	0.75	0.69
3	0.90	0.79	0.71	0.64	0.87	0.78	0.70	0.64	0.75	0.68	0.63	0.58
4	0.82	0.70	0.61	0.54	0.80	0.69	0.60	0.54	0.66	0.59	0.53	0.50
5	0.76	0.63	0.53	0.47	0.73	0.61	0.53	0.46	0.59	0.52	0.46	0.43
6	0.70	0.56	0.47	0.41	0.68	0.55	0.47	0.41	0.53	0.46	0.40	0.37
7	0.65	0.51	0.42	0.36	0.63	0.50	0.42	0.36	0.49	0.41	0.35	0.33
8	0.60	0.46	0.38	0.32	0.59	0.46	0.38	0.32	0.44	0.37	0.32	0.29
9	0.56	0.43	0.34	0.29	0.55	0.42	0.34	0.29	0.41	0.34	0.28	0.26
10	0.53	0.39	0.31	0.26	0.51	0.39	0.31	0.26	0.38	0.31	0.26	0.24

CR = Room Cavity Ratio
RC = Effective Ceiling Cavity Reflectance
RW = Wall Reflectance

SAMJIN LED FET & BT Luminaire With an integral Emergency Battery Kit

FEATURES

SAMJIN LED Flat Panel recessed troffer luminaire with an integral **Philips Bodine Emergency LED Driver (BSL17C)** is configured with a 90-minute Battery Pack, compliant with the NFPA 101 Life Safety Code

Operation

When AC power fails, it immediately switches to the emergency mode, operating the LEDs for 90 minutes. When AC power restored the emergency driver automatically returns to normal mode. Recharge Time: 24Hrs.
Warranty: 5 years

Emergency LED Driver (BSL17C)

Performance Summary

Delivered Light Output: 1300 (PLUS) lumens
Input Voltage: 120-277VAC
Input Current: 60 [Hz]
Input Power: 3.0 W
Output Voltage: $V_o = 30\sim 80$ [VDC]
Output Current: $I_o = 200$ [mA] (Max)
Output Power: 7.0 W (Max)

Battery Sustainability Time

Illumination Time: 90 minute or more
Recharge Time: 24Hrs.
Test Switch: Indicator

Certification

UL 924 Issue:2006/02/24 Ed:9 Rev:2011/02/18 UL Standard for Safety Emergency Lighting and Power Equipment
CSA C22.2#141 Issue:2010/09/01 Ed:4 Unit Equipment for Emergency Lighting)



Ordering Information

Reference SAMJIN Troffer specsheets for ordering details.

2x2, 1x4 & 2x4 Surface Mounted or Pendant Frame

Features & Specifications

Frame Composition – Made from 0.80” 5052 Aluminum with baked on powder coated finish with DUPONT TGIC PWF – 510-S9, Sky White providing a slim, clean, airborne particle resistant frame.

End Caps - Secured with standard machine screw flat Phillip ZP 8-32x 3/8, RoHS Cr3+Cpmlpliant.

- Tamper Resistant Option: Secured with stainless steel Torx (TX-20) 8-32x 3/8 tamper-resistant screws.

Mounting

- Surface Mount to ceiling with appropriate bolts / screws (supplied by others) – Minimum size recommended is ¼ - 20 moly bolt or ¼ lag screw with washers as needed.
- Connect hanging aircraft cable, wire or chain (supplied by others) to ceiling hook and frame to support fixture

Connect electrical - Whip (supplied by others). Dimming wires can connected to Wireless Devise

Install - Open one end cap on frame and slide fixture into the open side of the frame with enough space to access the ceiling electrical junction box. Connect the fixture whip wires to the electrical junction box wires. Slide fixture completely into frame and close open side end cap and secure with 2 screws on both sides.

Sample: 2x2 Drawing Surface Mounted Frame

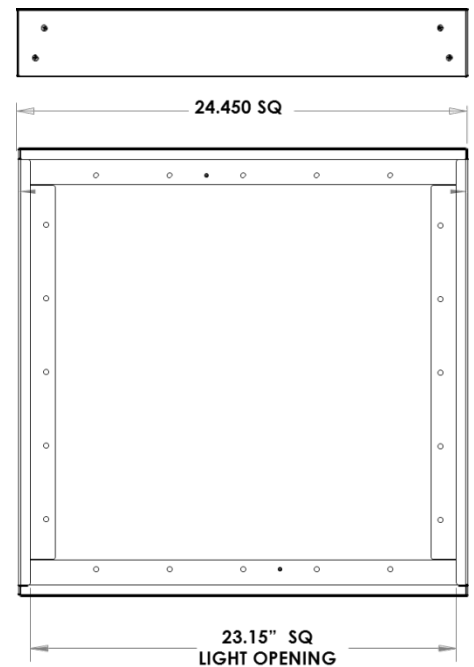
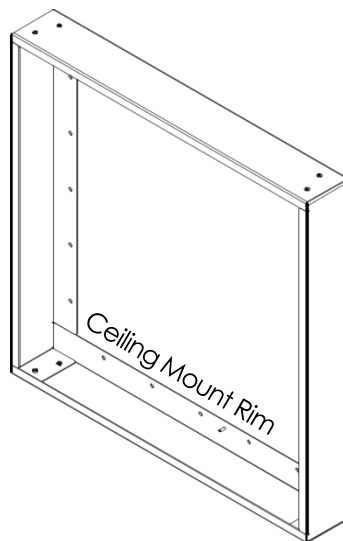
2x2 Frame Dimensions
24.45”X24.45”X3.5”

Additional Sizes

2x4 Frame Dimensions
48.31”X24.45”X3.5”

1x4 Frame Dimensions
12.45”X24.45”X3.5”

Other sizes upon request.



ORDERING INFORMATION

Frame	SM	22	W	TR	O - D
Brand	Model	Size	Powder Coated	Tamper Resistant	Sensors
Mounted	Surface	22 - 2'x2'	W White	TR – Torx (TX-20) Screws 4 per end cap	O/D Occ & Daylight
	Pendant	12 - 1'x4'			
		24 - 2'x4'			