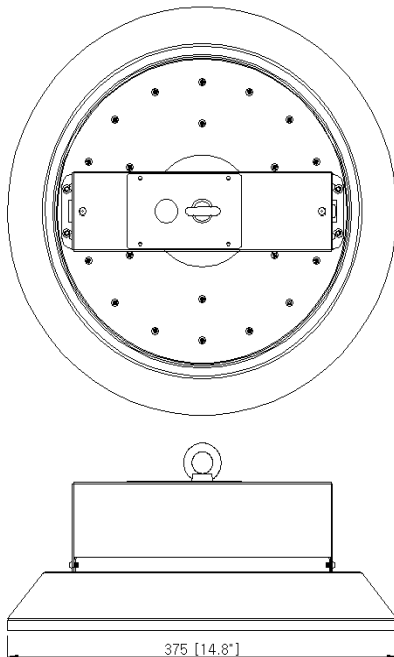




PRODUCT DESCRIPTION

- System Input Power: 93W
- Efficacy: 139 ~ 149 lm/W (@ 110°)
- Input Frequency: 50/60Hz

DIMENSIONS(mm)



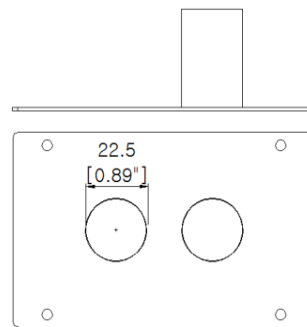
PRODUCT SPECIFICATION

| PERFORMANCE | FLC6A-09650L1US | FLC6A-09650C1US |
|-------------------|-----------------|-----------------|
| Light Output (lm) | 13,060 | 13,780 |
| Input Power (W) | 93 | |
| Efficacy (lm/W) | 139 | 149 |
| CCT (K) | 5000 | |
| CRI (Ra) | > 80 | |
| Power Factor | > 0.9 | |
| Input Voltage | 120~277 | |

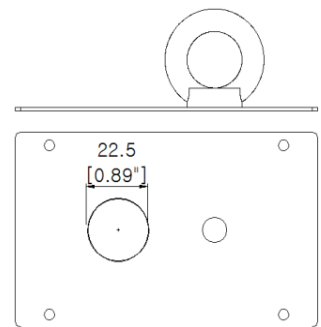
※ Tolerance Range : ± 10%

| PHYSICAL INFO | L×W×H |
|-----------------------|---------------------------------|
| Dimension (mm / inch) | 375x375x170/ 14.77x14.77x6.7 |
| Weight (kg / lb) | 2.7 / 5.73 |

CERTIFICATIONS & QUALIFICATIONS

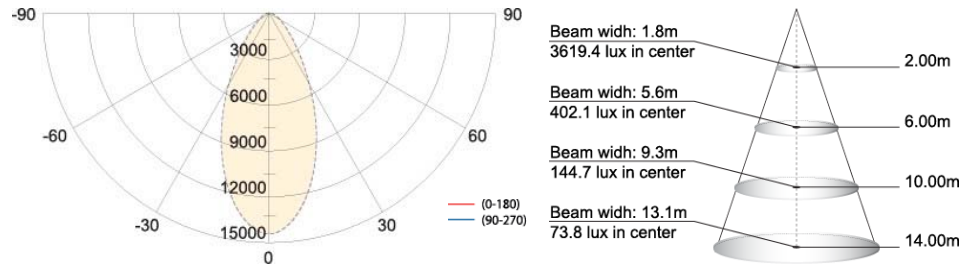


Pipe installation Bracket



Pendant installation Bracket

LIGHT DISTRIBUTION & DISTANCE LUMINARY



ZONAL LUMEN SUMMARY

| Zone | Lumens | % Lamp | Luminaire |
|-------|--------|--------|-----------|
| 0~30 | 8,125 | 65 | 65 |
| 30~60 | 4,125 | 33 | 98 |
| 60~90 | 250 | 2 | 100 |
| 0~90 | 12,500 | 100 | 100 |

COEFFICIENTS OF UTILIZATION

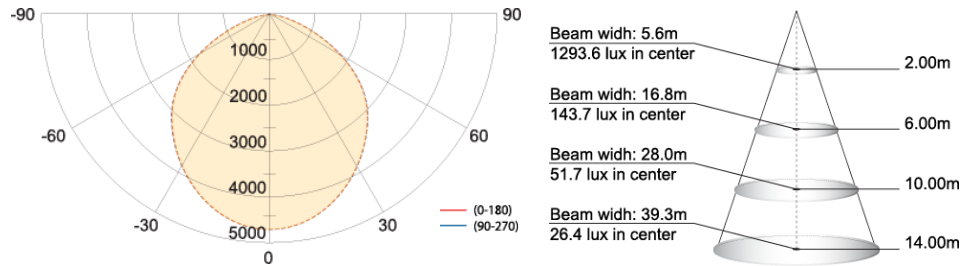
| RC | 90 | | | | 70 | | | | 50 | | | 0 |
|---------|------|------|------|------|------|------|------|------|------|------|------|------|
| RW | 60 | 50 | 30 | 10 | 60 | 50 | 30 | 10 | 50 | 30 | 10 | 0 |
| RCR (0) | 1.10 | 1.10 | 1.10 | 1.10 | 1.08 | 1.08 | 1.08 | 1.08 | 1.06 | 1.06 | 1.06 | 1.00 |
| 1 | 1.04 | 1.03 | 1.01 | 0.99 | 1.02 | 1.01 | 0.99 | 0.97 | 0.99 | 0.97 | 0.96 | 0.92 |
| 2 | 0.98 | 0.95 | 0.92 | 0.88 | 0.95 | 0.93 | 0.90 | 0.87 | 0.92 | 0.89 | 0.86 | 0.83 |
| 3 | 0.92 | 0.89 | 0.84 | 0.80 | 0.89 | 0.87 | 0.82 | 0.79 | 0.85 | 0.81 | 0.78 | 0.75 |
| 4 | 0.86 | 0.82 | 0.77 | 0.72 | 0.84 | 0.81 | 0.76 | 0.72 | 0.79 | 0.75 | 0.71 | 0.69 |
| 5 | 0.81 | 0.77 | 0.71 | 0.66 | 0.79 | 0.75 | 0.70 | 0.66 | 0.74 | 0.69 | 0.66 | 0.63 |
| 6 | 0.76 | 0.72 | 0.66 | 0.61 | 0.74 | 0.70 | 0.65 | 0.61 | 0.69 | 0.64 | 0.61 | 0.59 |
| 7 | 0.71 | 0.67 | 0.61 | 0.57 | 0.70 | 0.66 | 0.60 | 0.56 | 0.65 | 0.60 | 0.56 | 0.54 |
| 8 | 0.67 | 0.63 | 0.57 | 0.53 | 0.66 | 0.62 | 0.57 | 0.53 | 0.61 | 0.56 | 0.52 | 0.51 |
| 9 | 0.64 | 0.59 | 0.53 | 0.49 | 0.62 | 0.59 | 0.53 | 0.49 | 0.58 | 0.53 | 0.49 | 0.47 |
| 10 | 0.60 | 0.56 | 0.50 | 0.46 | 0.59 | 0.55 | 0.50 | 0.46 | 0.55 | 0.50 | 0.46 | 0.44 |

CR = Room Cavity Ratio
RC = Effective Ceiling Cavity Reflectance
RW = Wall Reflectance

ORDERING INFORMATION

| FL | C | 6 | A | - | 096 | 50 | L | A | US |
|------|------|-----|---|---------|-----|--------|---------------|---------------|---------------|
| Type | Size | No. | - | Wattage | CCT | Optic | Internal Code | Country | |
| FL | C | 375 | A | - | 96W | 5,000K | Lens | Internal Code | United States |

LIGHT DISTRIBUTION & DISTANCE LUMINARY



ZONAL LUMEN SUMMARY

| Zone | Lumens | % Lamp | Luminaire |
|-------|--------|--------|-----------|
| 0~30 | 4,290 | 33 | 33 |
| 30~60 | 7,280 | 56 | 88 |
| 60~90 | 1,560 | 12 | 100 |
| 0~90 | 13,000 | 100 | 100 |

COEFFICIENTS OF UTILIZATION

| RC | 80 | | | | 70 | | | | 50 | | | 0 |
|---------|------|------|------|------|------|------|------|------|------|------|------|------|
| | 60 | 50 | 30 | 10 | 60 | 50 | 30 | 10 | 50 | 30 | 10 | 0 |
| RW | 1.08 | 1.08 | 1.08 | 1.08 | 1.07 | 1.07 | 1.07 | 1.07 | 1.05 | 1.05 | 1.05 | 1.00 |
| RCR (0) | 1.00 | 0.98 | 0.95 | 0.93 | 0.98 | 0.97 | 0.94 | 0.92 | 0.95 | 0.93 | 0.90 | 0.86 |
| 1 | 0.91 | 0.88 | 0.83 | 0.78 | 0.89 | 0.87 | 0.82 | 0.78 | 0.85 | 0.80 | 0.77 | 0.74 |
| 2 | 0.82 | 0.78 | 0.72 | 0.67 | 0.81 | 0.77 | 0.71 | 0.66 | 0.75 | 0.70 | 0.66 | 0.63 |
| 3 | 0.75 | 0.70 | 0.63 | 0.57 | 0.73 | 0.69 | 0.63 | 0.57 | 0.68 | 0.62 | 0.57 | 0.54 |
| 4 | 0.68 | 0.63 | 0.56 | 0.50 | 0.67 | 0.62 | 0.55 | 0.50 | 0.61 | 0.54 | 0.49 | 0.47 |
| 5 | 0.62 | 0.57 | 0.50 | 0.44 | 0.61 | 0.57 | 0.49 | 0.44 | 0.55 | 0.49 | 0.44 | 0.41 |
| 6 | 0.57 | 0.52 | 0.44 | 0.39 | 0.56 | 0.52 | 0.44 | 0.39 | 0.50 | 0.44 | 0.39 | 0.36 |
| 7 | 0.53 | 0.48 | 0.40 | 0.35 | 0.52 | 0.47 | 0.40 | 0.35 | 0.46 | 0.39 | 0.35 | 0.32 |
| 8 | 0.49 | 0.44 | 0.36 | 0.31 | 0.48 | 0.43 | 0.36 | 0.31 | 0.42 | 0.36 | 0.31 | 0.29 |
| 9 | 0.46 | 0.41 | 0.33 | 0.28 | 0.45 | 0.40 | 0.33 | 0.28 | 0.39 | 0.33 | 0.28 | 0.26 |
| 10 | | | | | | | | | | | | |

CR = Room Cavity Ratio
 RC = Effective Ceiling Cavity Reflectance
 RW = Wall Reflectance

ORDERING INFORMATION

| FL | C | 6 | A | - | 096 | 50 | C | A | US |
|------|------|-----|---|---------|-----|--------|---------------|---------------|---------------|
| Type | Size | No. | - | Wattage | CCT | Optic | Internal Code | Country | |
| FL | C | 375 | A | - | 95W | 5,000K | Cover | Internal Code | United States |